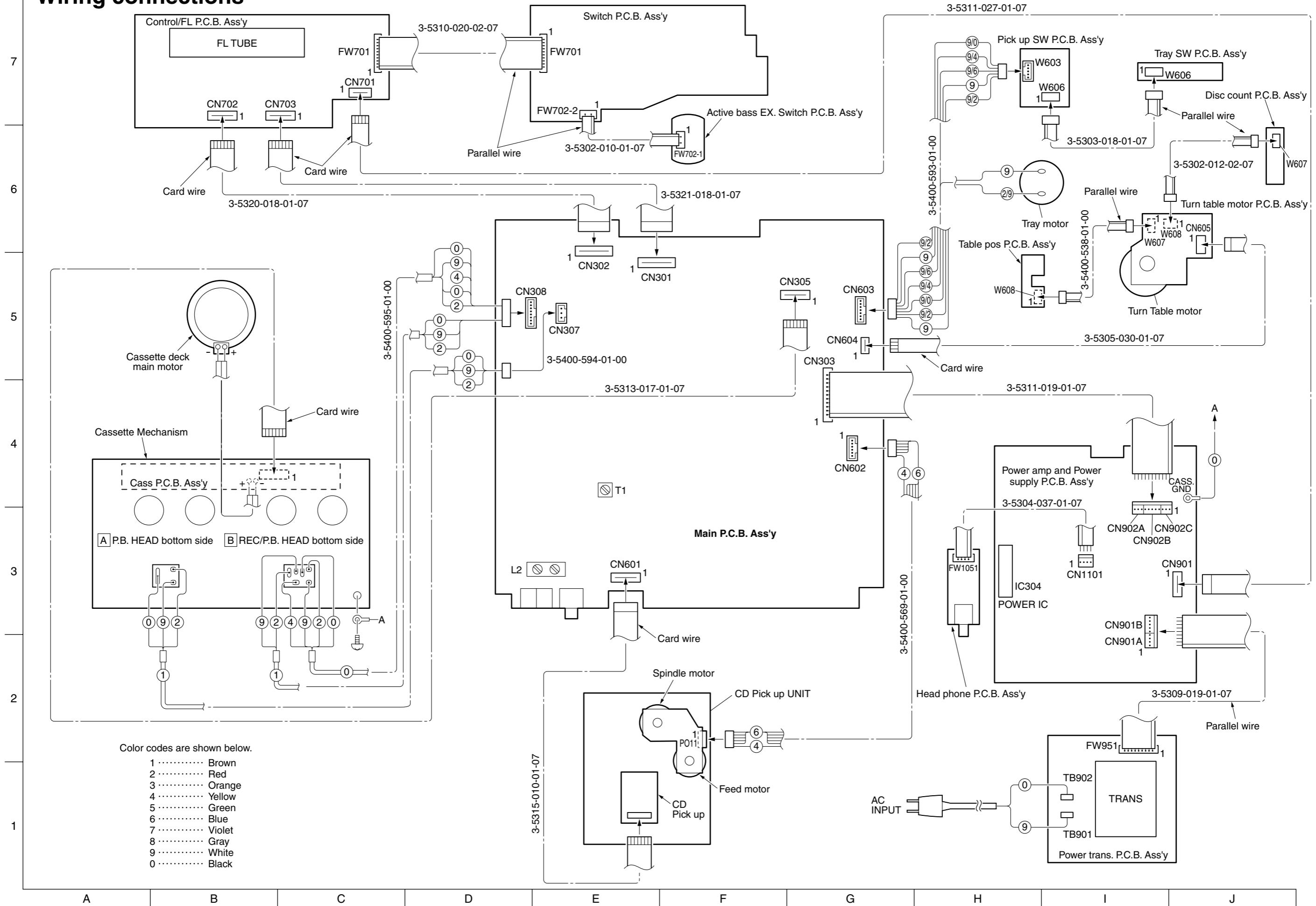
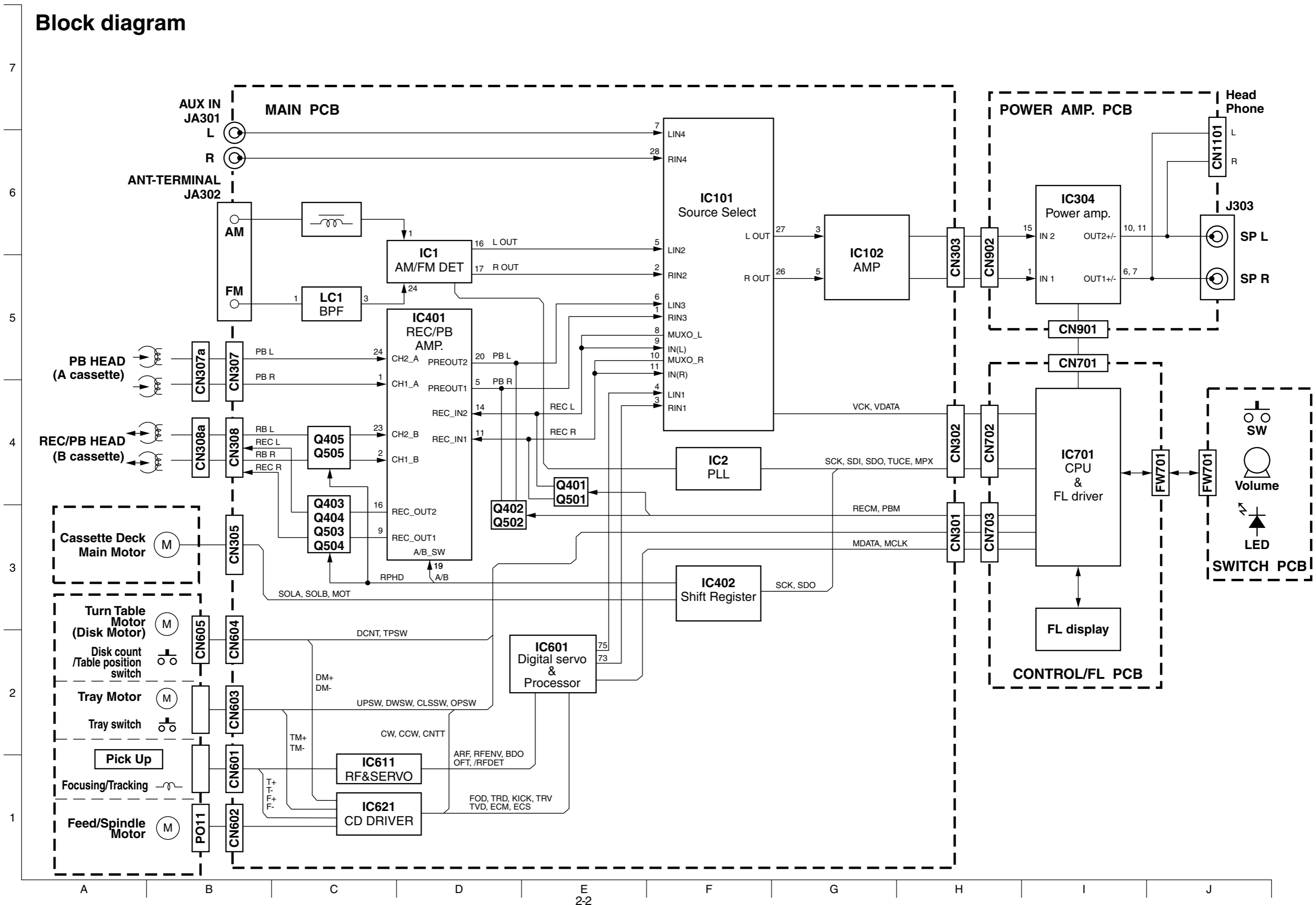


Wiring connections



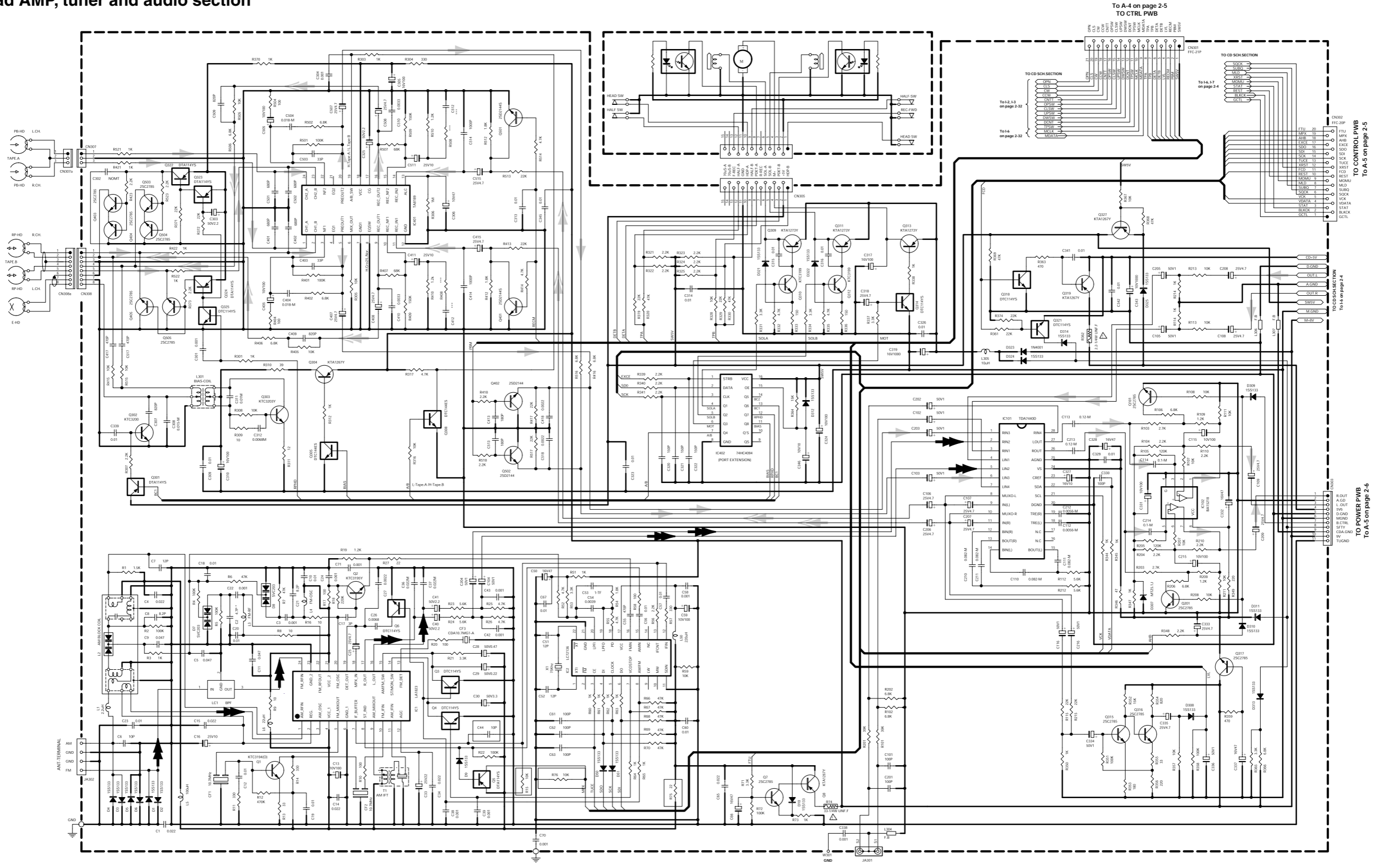
Block diagram



Standard schematic diagrams

■ Head AMP, tuner and audio section

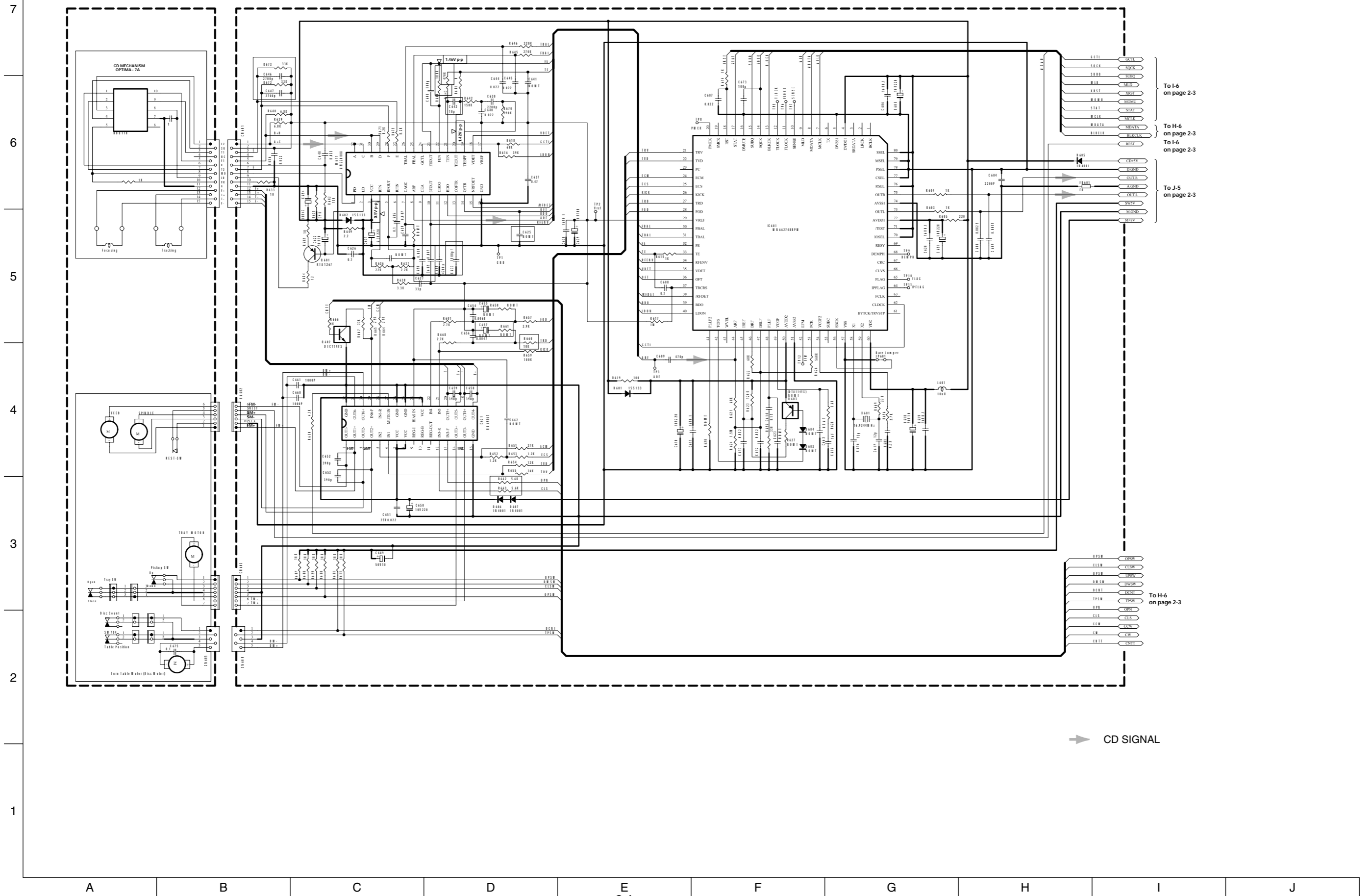
7
6
5
4
3
2
1



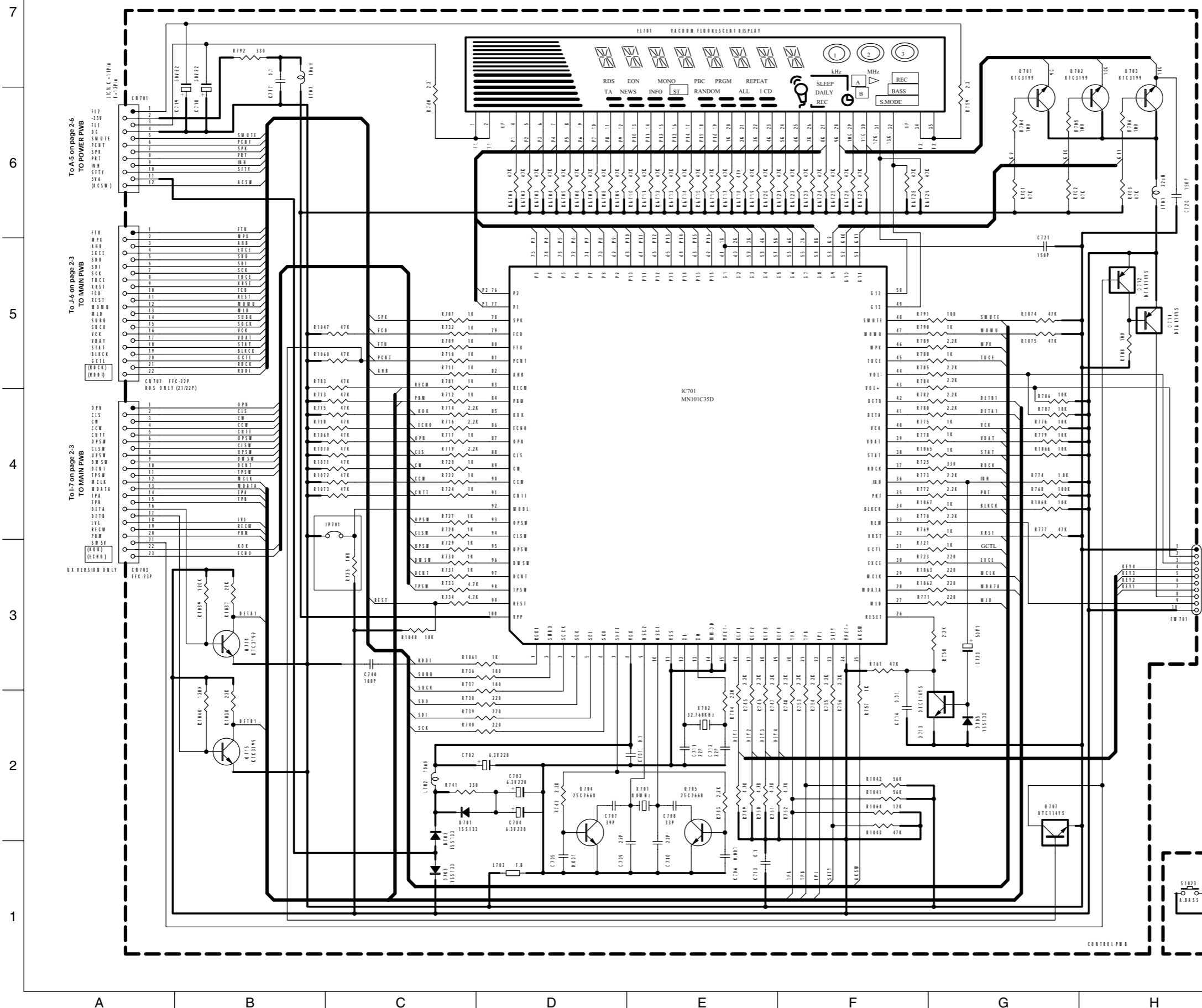
- ➔ CD/TAPE PLAY SIGNAL
- - - - - TAPE REC SIGNAL
- ➔➔➔ RADIO SIGNAL

A B C D E F G H I J

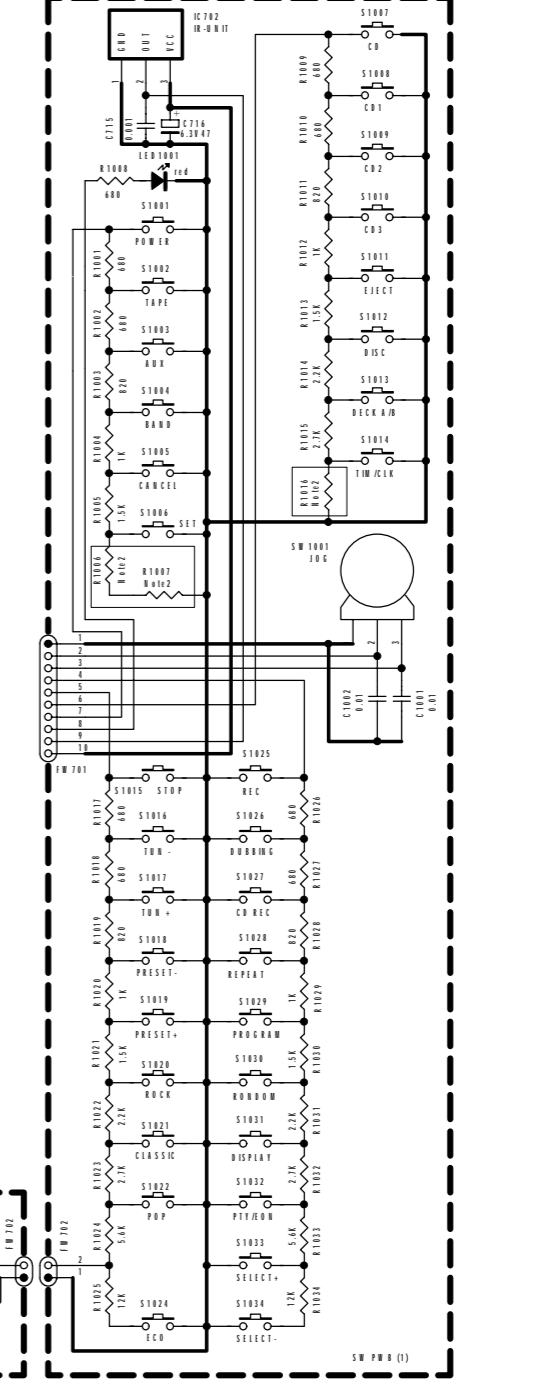
CD servo control section



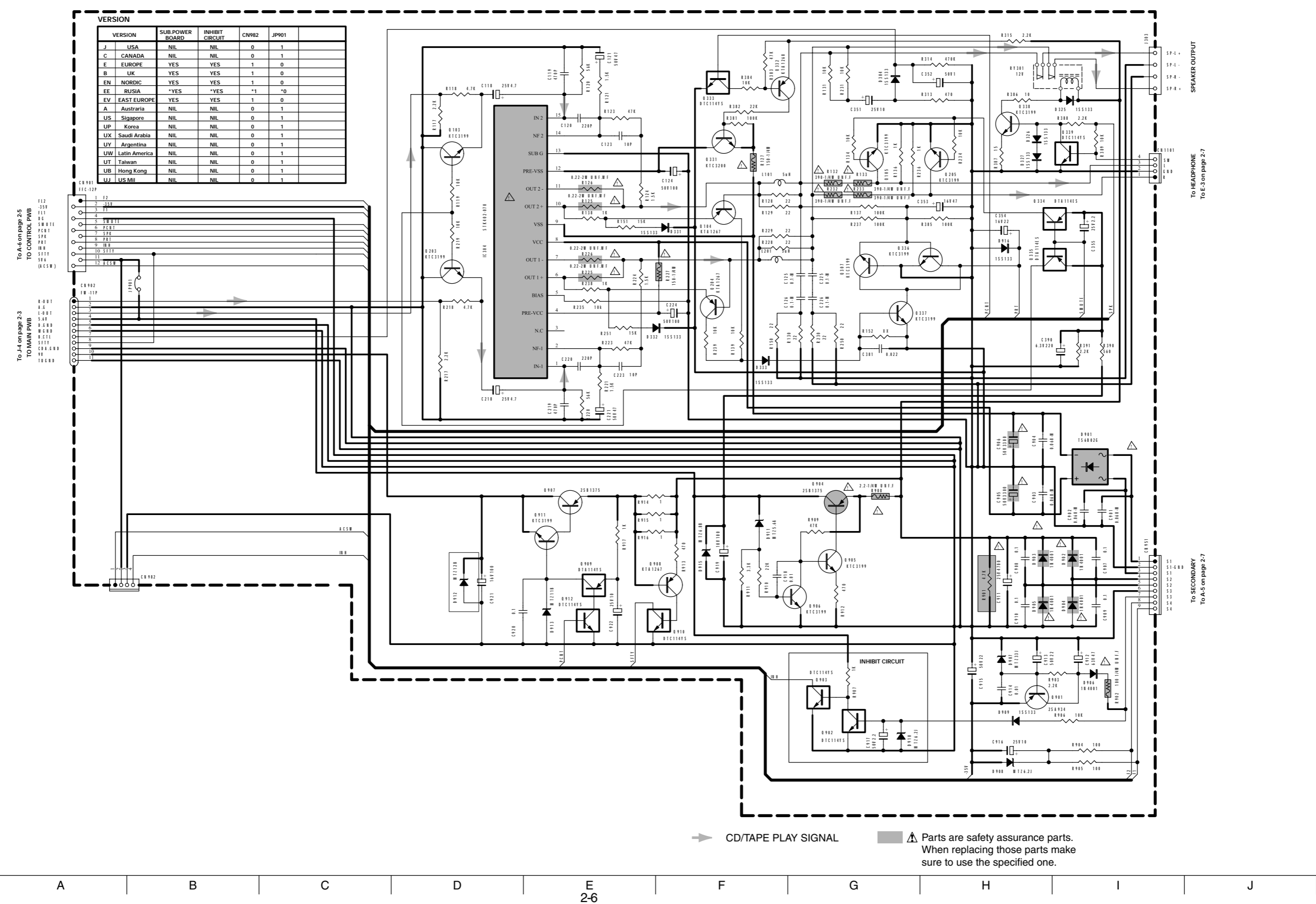
FL display and CPU section



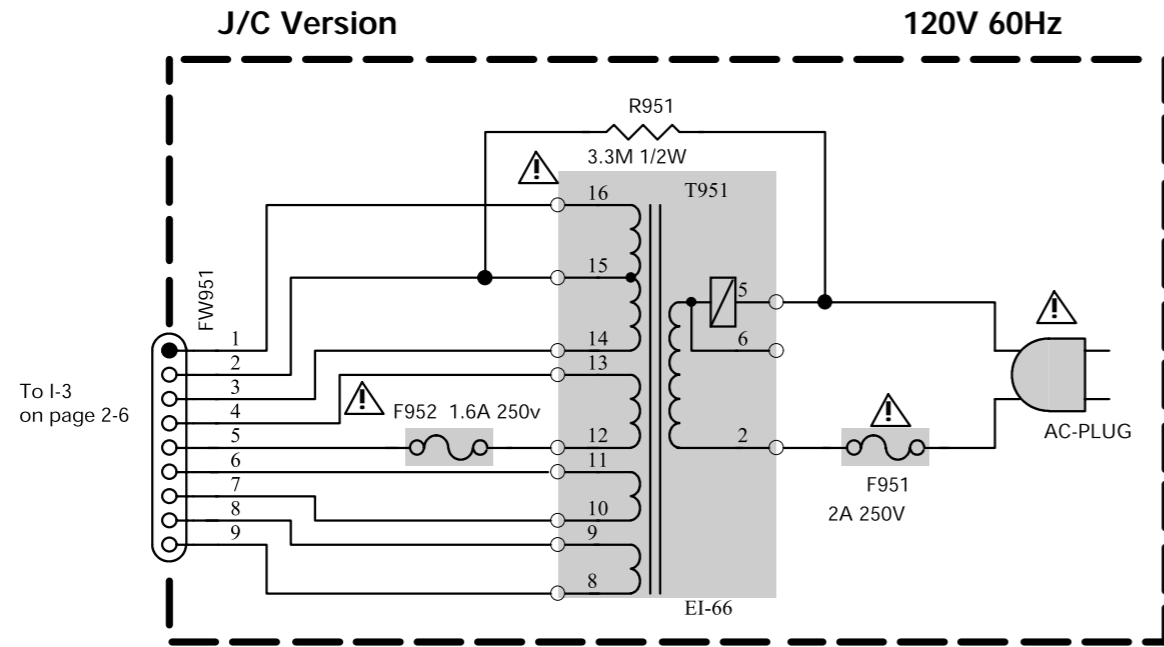
VERSION	R1006	S1007	R1014	J7701	ECB WIDE
J USA	WII	WII	WII	YES	(10K)
C CANADA	WII	WII	WII	YES	(10K)
E EUROPE	10K	8.2K	10K	WII	10K
B UK	10K	8.2K	10K	WII	10K
EM NORDIC	10K	8.2K	10K	WII	10K
EE RUSSIA	6.8K	8.2K	10K	WII	10K
EV EAST EUROPE	10K	8.2K	10K	WII	10K
A Australia	12K	1.5K	WII	WII	(10K)
US Singapore	4.7K	1W	WII	YES	(10K)
WP Korea	12K	1.5K	10K	YES	(10K)
DX Saudi Arabia	WII	WII	5.6K	YES	(10K)
UY Argentina	WII	WII	10K	YES	(10K)
HW Latin America	4.7K	1W	WII	YES	(10K)
BT Taiwan	4.7K	1W	WII	YES	(10K)
HD Hong Kong	4.7K	1W	WII	YES	(10K)
UJ US HI	4.7K	1W	WII	YES	(10K)



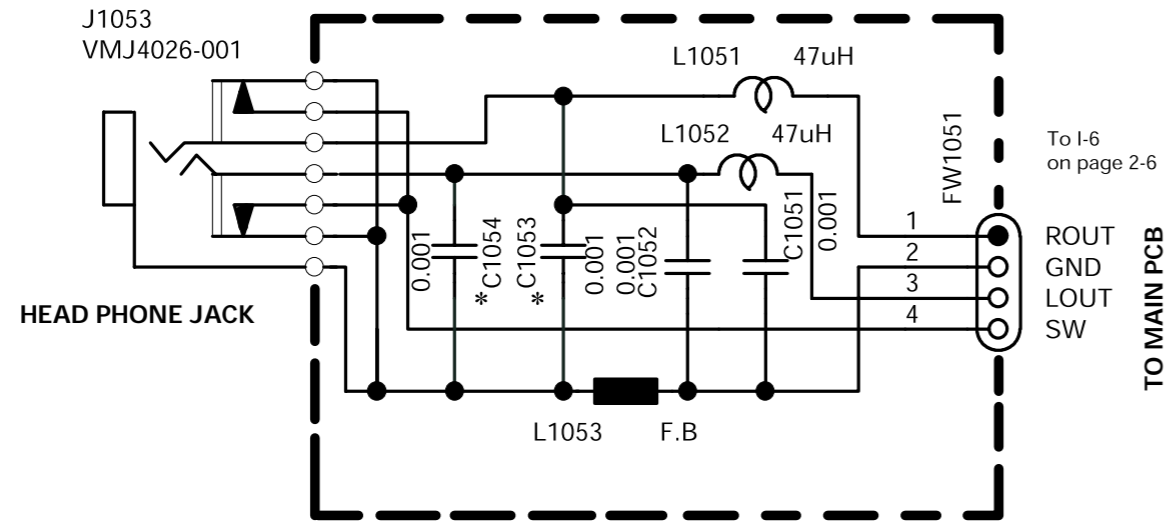
■ Main amp. and power supply section



■ Power transformer section



■ Head phone section

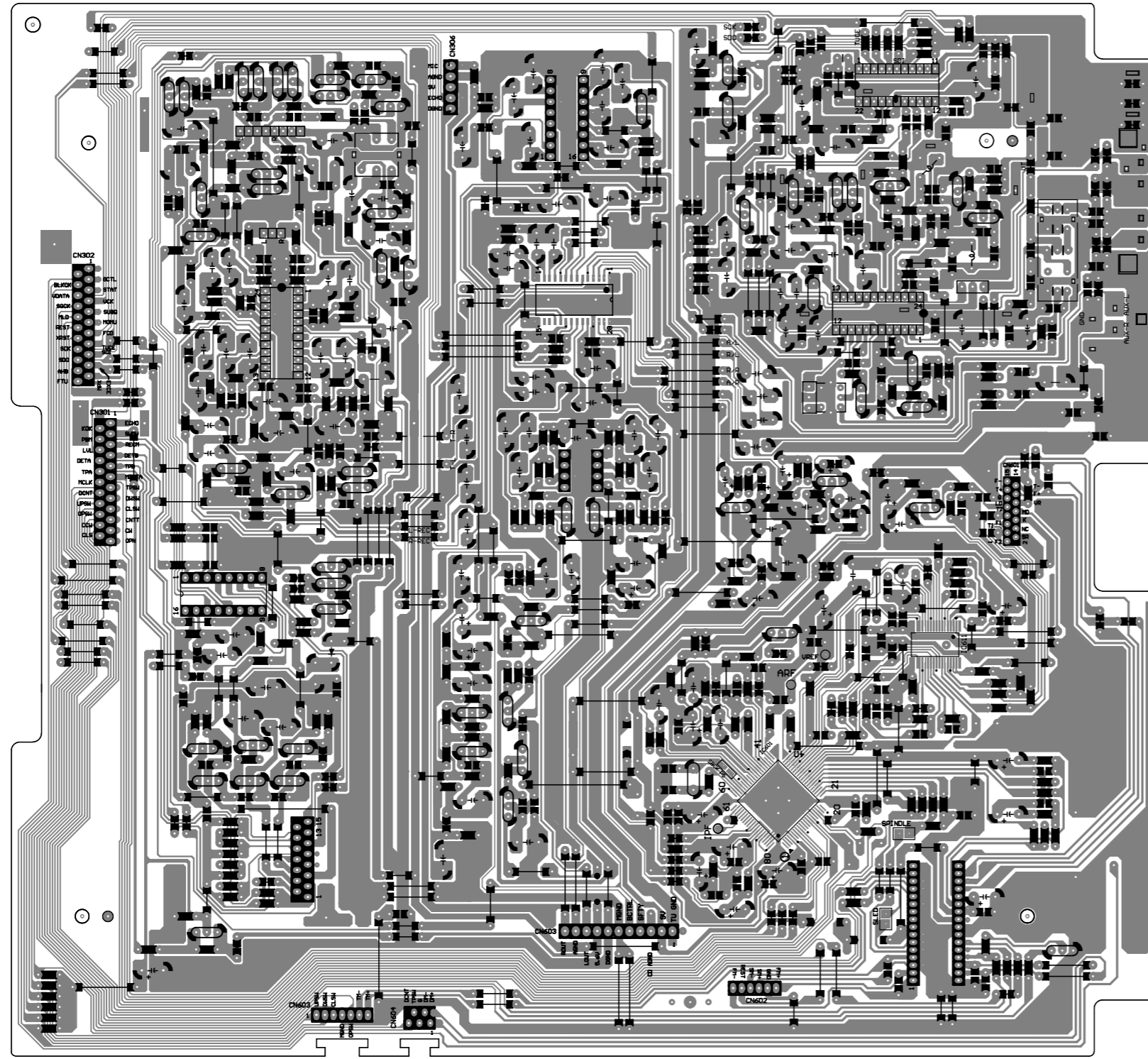


▲ Parts are safety assurance parts. When replacing those parts make sure to use the specified one.

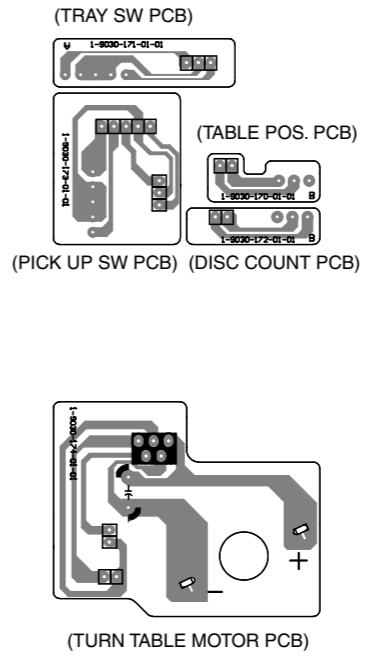
Printed circuit boards

■ Main circuit board

7
6
5
4
3
2
1



(MAIN PCB)

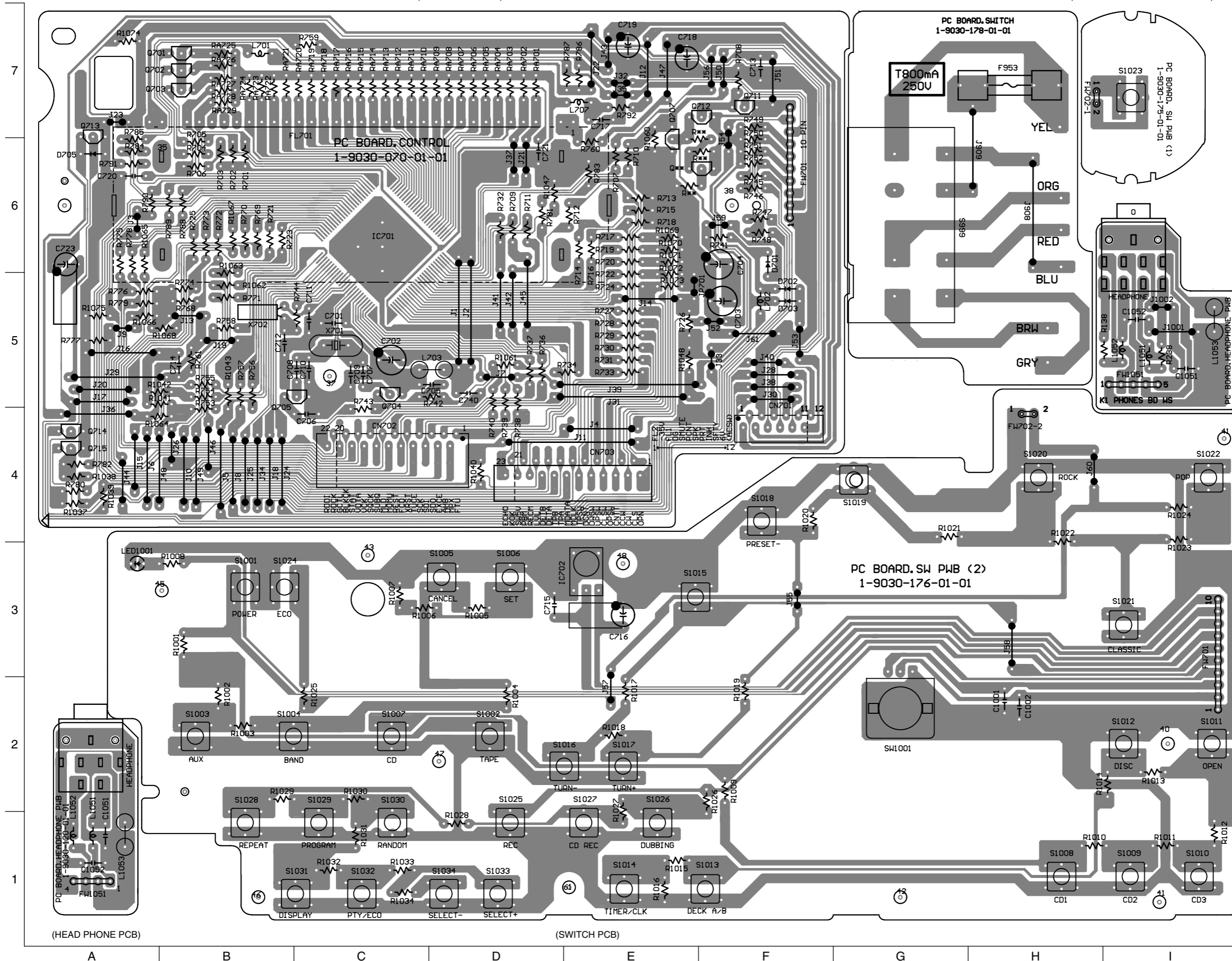


A B C D E F G H I J

Control/FL and Switch circuit board

(CONTROL/FL PCB)

(ACTIVE BASS EX. SWITCH PCB)



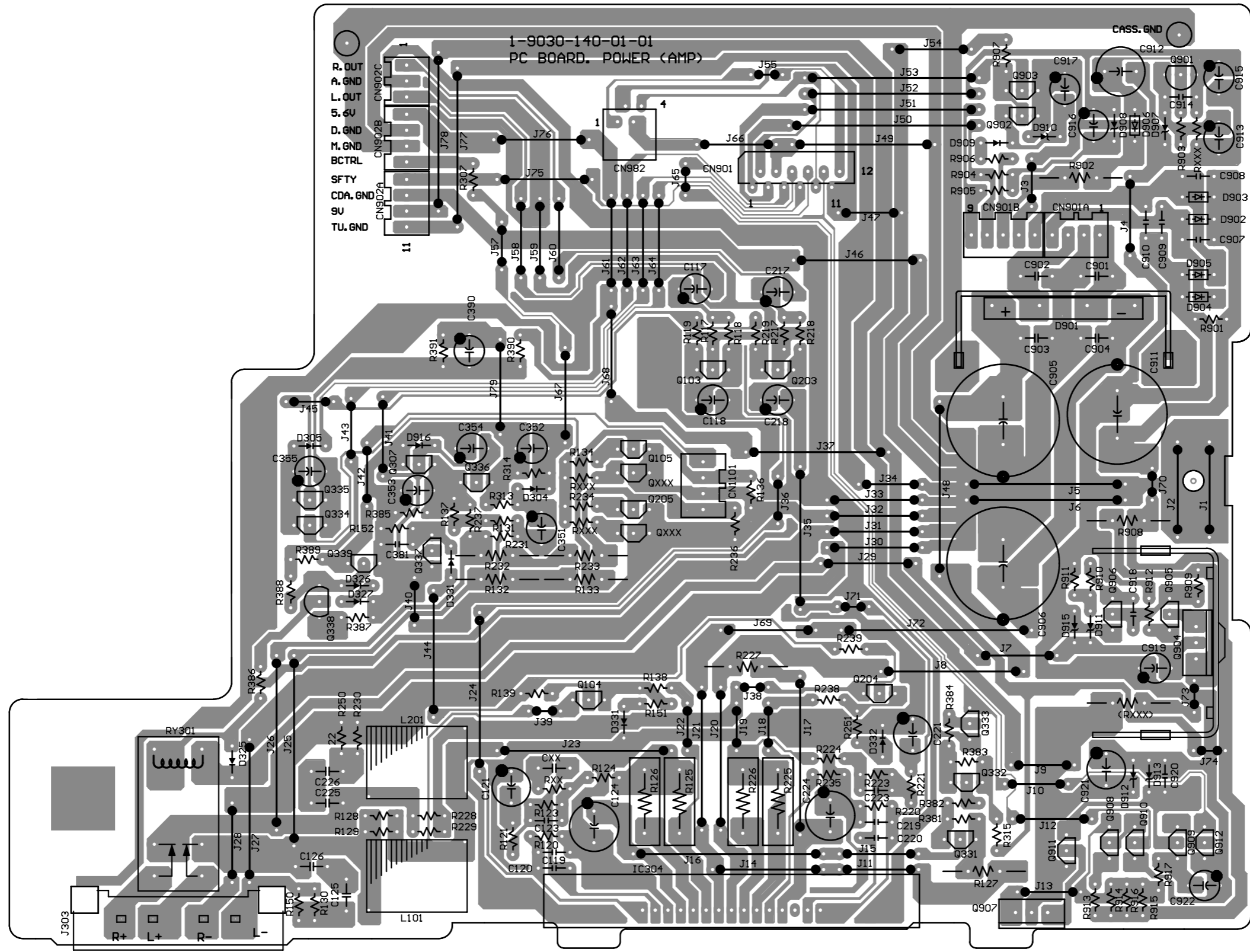
7
6
5
4
3
2
1

(HEAD PHONE PCB) (SWITCH PCB)

A B C D E F G H I J

■ Power amp. and Power supply circuit board

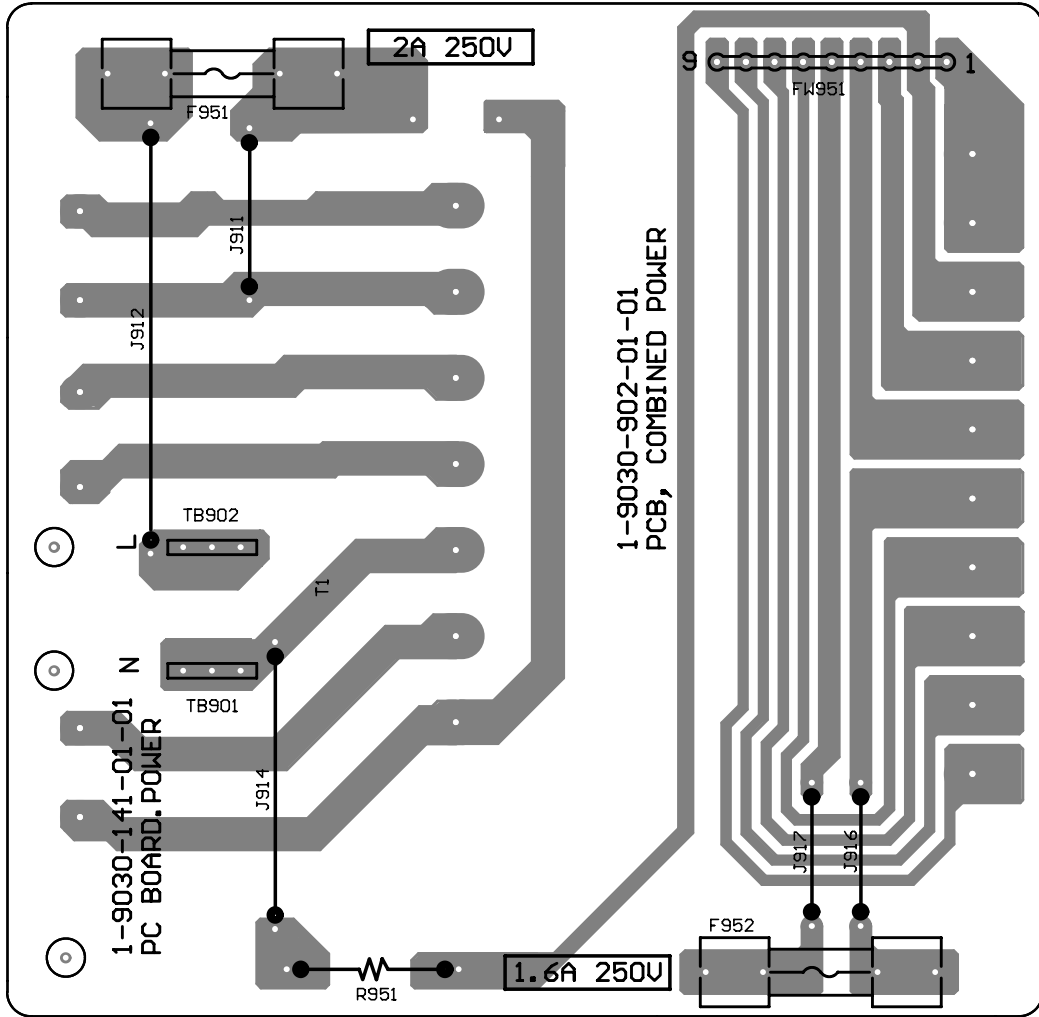
7
6
5
4
3
2
1



A B C D E F G H I J

■ Power trans. circuit board

7
6
5
4
3
2
1



A B C D E

— MEMO —